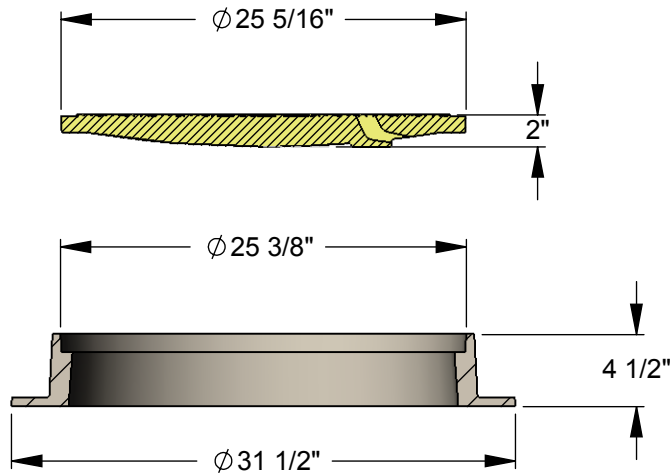
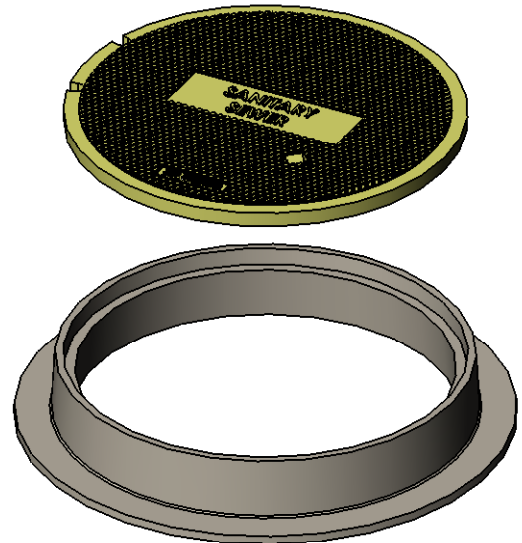
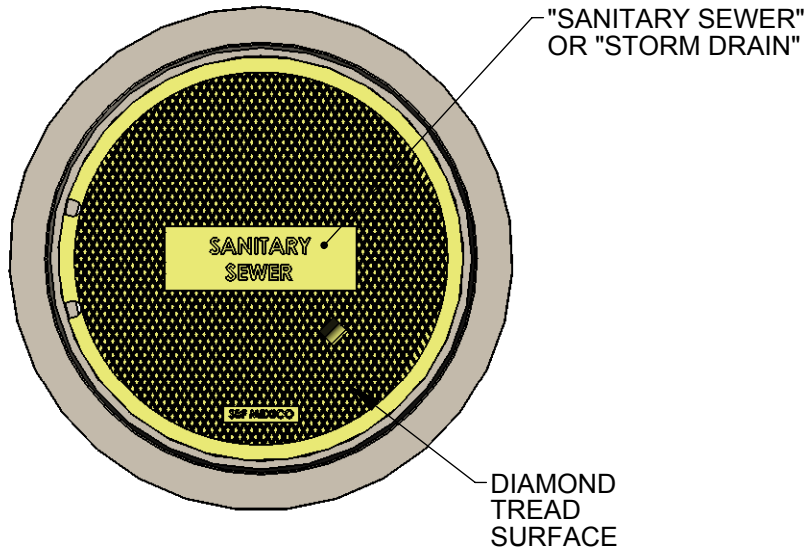




South Bay Foundry

9444 Abraham Way Santee, CA 92071 (619) 956-2780
 42 North Cluff Lodi, CA 95240 (209) 367-1940
 895 S. Inland Center Dr. San Bernardino, CA (909) 888-3334

A42-3
1900-2
FRAME & COVER
P/N# A5000/A5301



SECTION VIEW

CLASS 30B	
SET WEIGHT	
FRAME	135 LBS
COVER	175 LBS
TOTAL	310 LBS

GENERAL INFORMATION

- ALL MATERIALS USED SHALL CONFORM TO ASTM A48, CLASS 35B, USING WHEEL LOAD TEST METHOD TO 48,700 LBS.
- FRAME AND COVER BEARING SURFACES SHALL BE MACHINED TO ASSURE CLOSE, QUIET FIT.
- CASTINGS SHALL BE DIPPED IN BLACK, BITUMINOUS PAINT.

APPROVED	
BY:	
TITLE:	
AGENCY:	
DATE:	
COMMENTS:	