



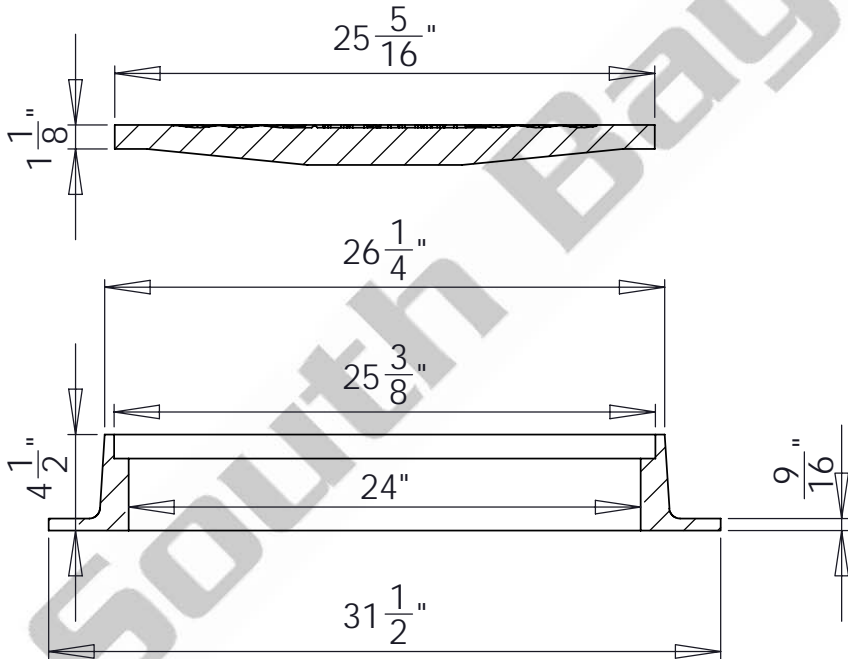
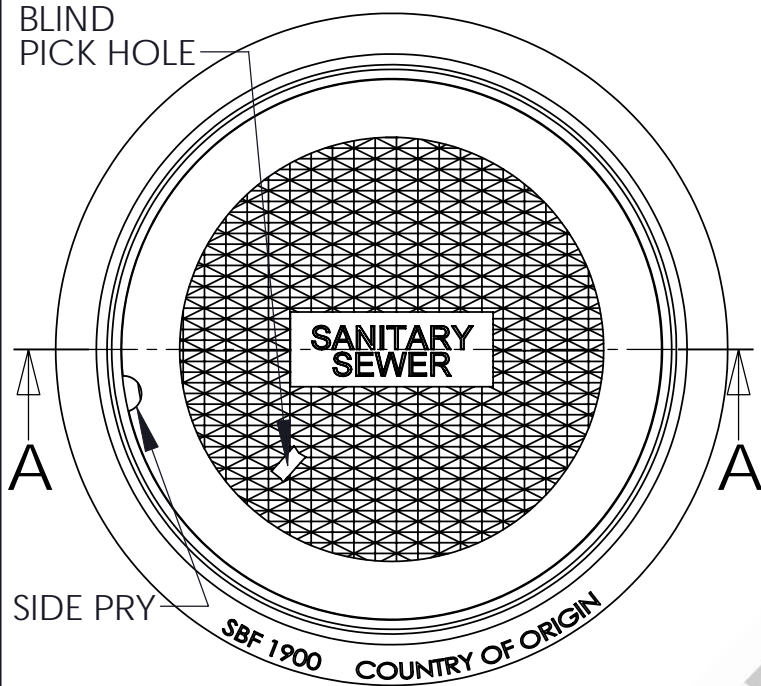
South Bay Foundry

WWW.SOUTHBAYFOUNDRY.COM

PHONE: (619) 956-2780 FAX: (619) 956-2788

SBF 1900 BPH

24" MANHOLE
FRAME AND COVER
SANITARY SEWER



SECTION A-A

SET WEIGHT	
FRAME	140 LB
COVER	130 LB
TOTAL	270 LB

GENERAL INFORMATION

- *MATERIALS CONFORM TO ASTM A-48, CLASS 35B
- *FRAME AND COVER BEARING SURFACES MACHINED FOR CLOSE, QUIET FIT
- *CASTINGS ARE DIPPED IN BLACK BITUMINOUS PAINT
- *FRAME AND COVER EXCEEDS H-20 WHEEL LOADING

APPROVED

BY:

TITLE:

AGENCY:

DATE: