



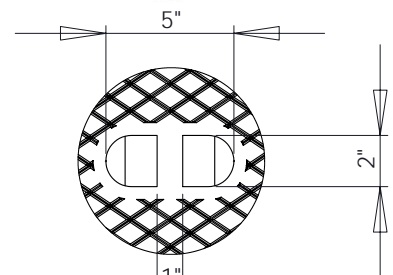
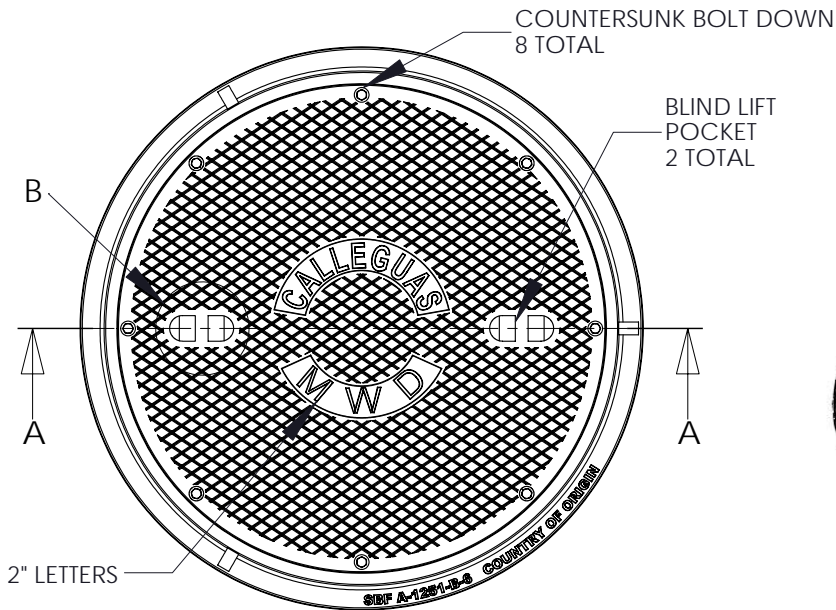
South Bay Foundry

WWW.SOUTHBAYFOUNDRY.COM

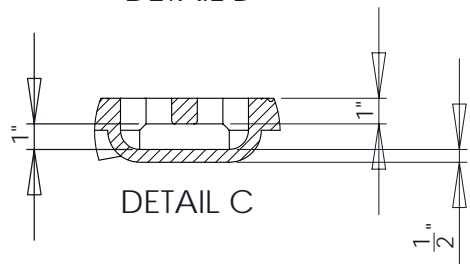
PHONE: (619) 956-2780 FAX: (619) 956-2788

SBF A-1251-B-6

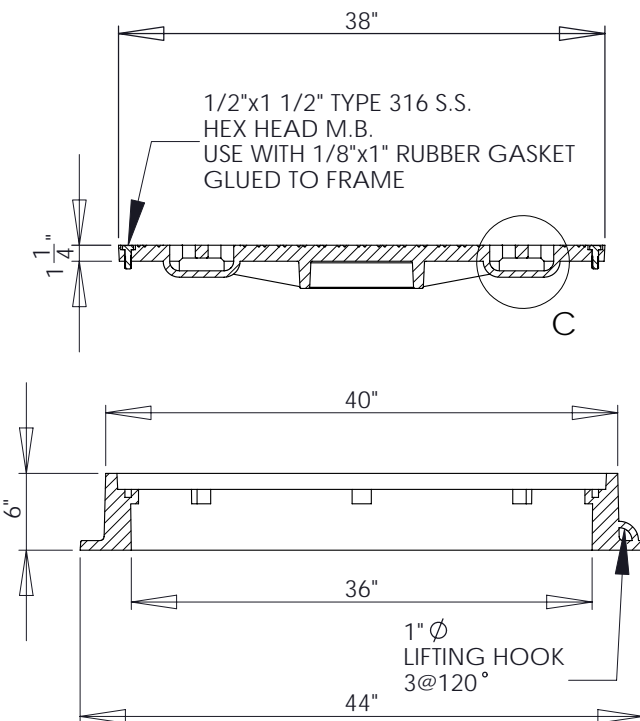
36" MANHOLE
BOLTED FRAME AND COVER
CALLEGUAS MWD



DETAIL B



DETAIL C



SECTION A-A

SET WEIGHT	
FRAME	365 LB
COVER	325 LB
TOTAL	690 LB

GENERAL INFORMATION

- *MATERIALS CONFORM TO ASTM A48 CLASS 35B
- *CASTINGS SHALL BE DIPPED IN BLACK BITUMINOUS PAINT
- *BEARING SURFACES MACHINED FOR CLOSE, QUIET FIT
- *FRAME AND COVER MEETS H-20 WHEEL LOADING
- *FRAME AND COVER ARE BOLTED AND WATER TIGHT

APPROVED

BY:

TITLE:

AGENCY:

DATE: