



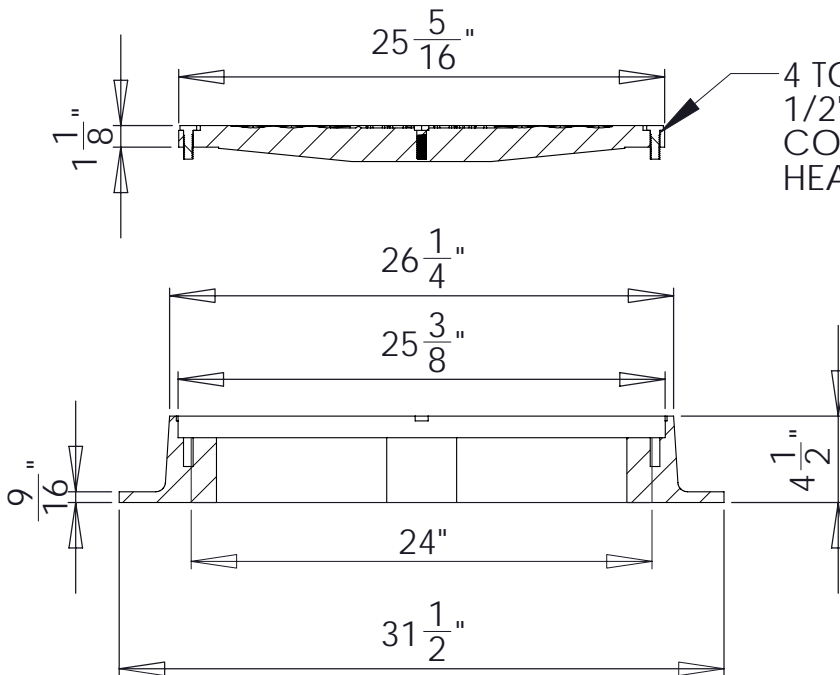
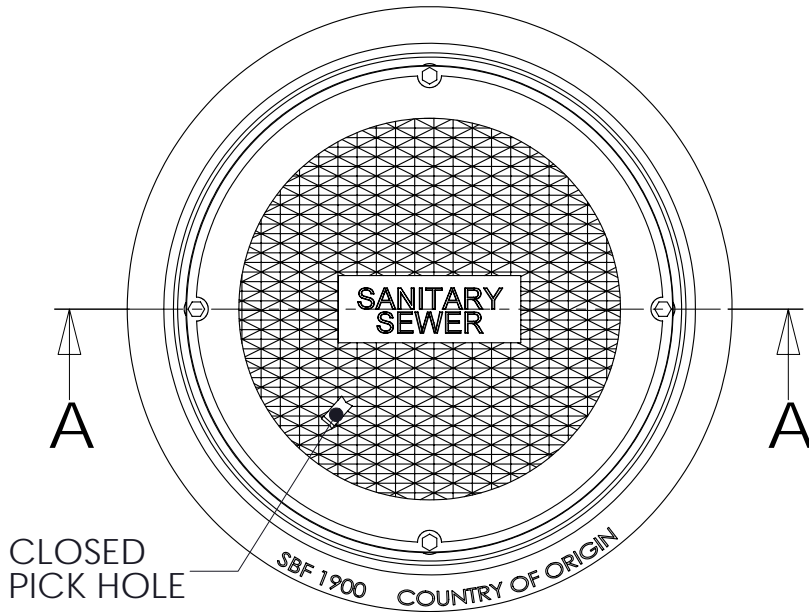
South Bay Foundry

WWW.SOUTHBAYFOUNDRY.COM

PHONE: (619) 956-2780 FAX: (619) 956-2788

SBF 1900 BS

24" MANHOLE
FRAME AND COVER
BOLT DOWN



SET WEIGHT	
FRAME	150 LB
COVER	130 LB
TOTAL	280 LB

SECTION A-A

GENERAL INFORMATION

- *MATERIALS CONFORM TO ASTM A48 CLASS 35B
- *BEARING SURFACES MACHINED FOR CLOSE, QUIET FIT
- *CASTINGS SHALL BE DIPPED IN BLACK BITUMINOUS PAINT
- *FRAME AND COVER EXCEEDS H-20 WHEEL LOADING
- *1/8"x1/2" FLAT NEOPRENE GASKET PROVIDED FOR WATER TIGHT SEAL

APPROVED

BY:

TITLE:

AGENCY:

DATE: