



South Bay Foundry

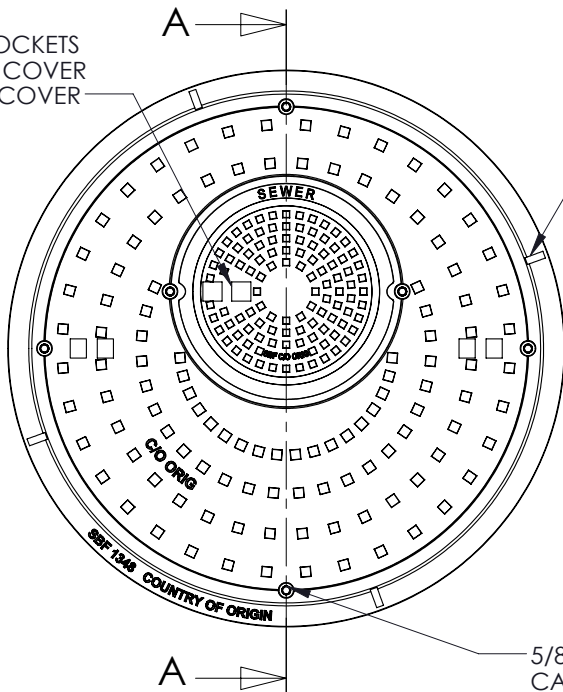
WWW.SOUTHBAYFOUNDRY.COM

PHONE: (619) 956-2780 FAX: (619) 956-2788

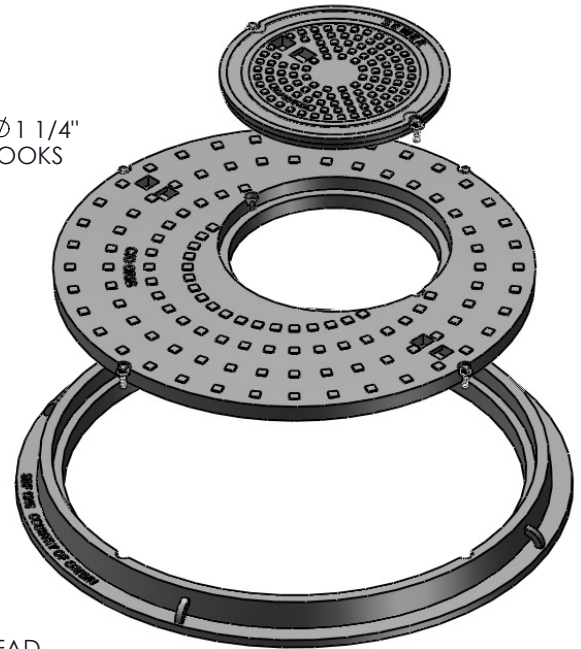
SBF 1348/1310

22" OR 48" MANHOLE
FRAME AND COVERS
SEWER

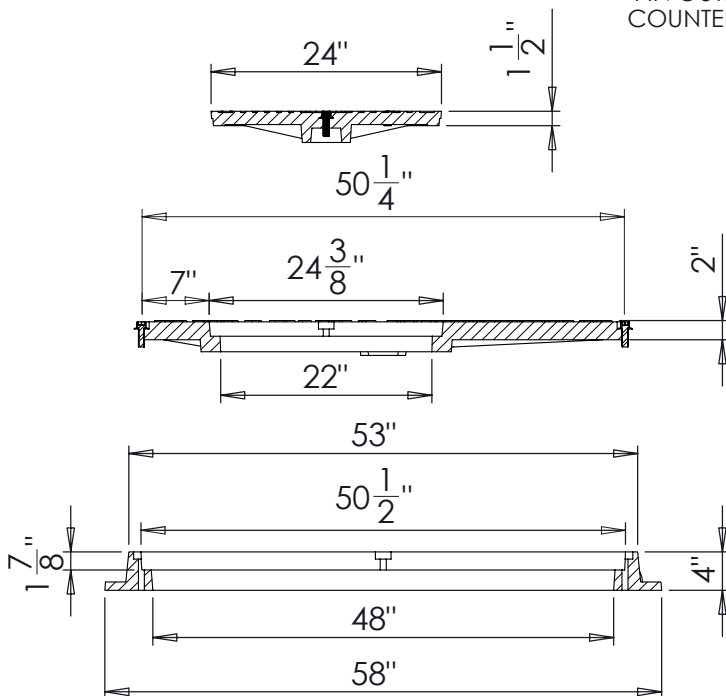
5"x2" LIFT POCKETS
2 IN OUTER COVER
1 IN INNER COVER



4 TOTAL $\phi 1 \frac{1}{4}$ "
LIFTING HOOKS
IN FRAME



5/8" S.S. SOCKET HEAD
CAP SCREWS WITH WASHERS
4 IN OUTER COVER, 2 IN INNER COVER
COUNTERBORE FLUSH WITH COVER SURFACE



SECTION A-A

SET WEIGHT

FRAME	420 LB
OUTER COVER	885 LB
INNER COVER	155 LB
TOTAL	1460 LB

GENERAL INFORMATION

- *MATERIALS CONFORM TO ASTM A48 CLASS 35B
- *BEARING SURFACES MACHINED FOR CLOSE, QUIET FIT
- *CASTINGS SHALL BE DIPPED IN BLACK BITUMINOUS PAINT

APPROVED

BY:

TITLE:

AGENCY:

DATE: