



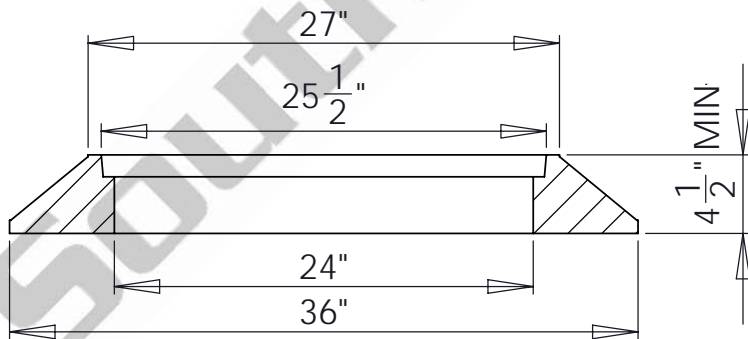
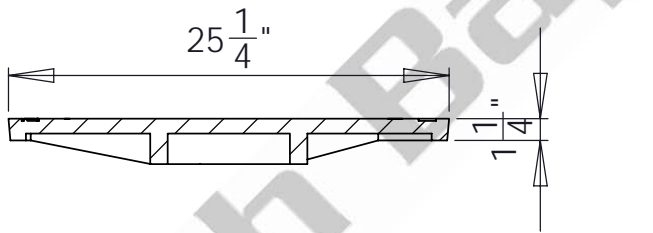
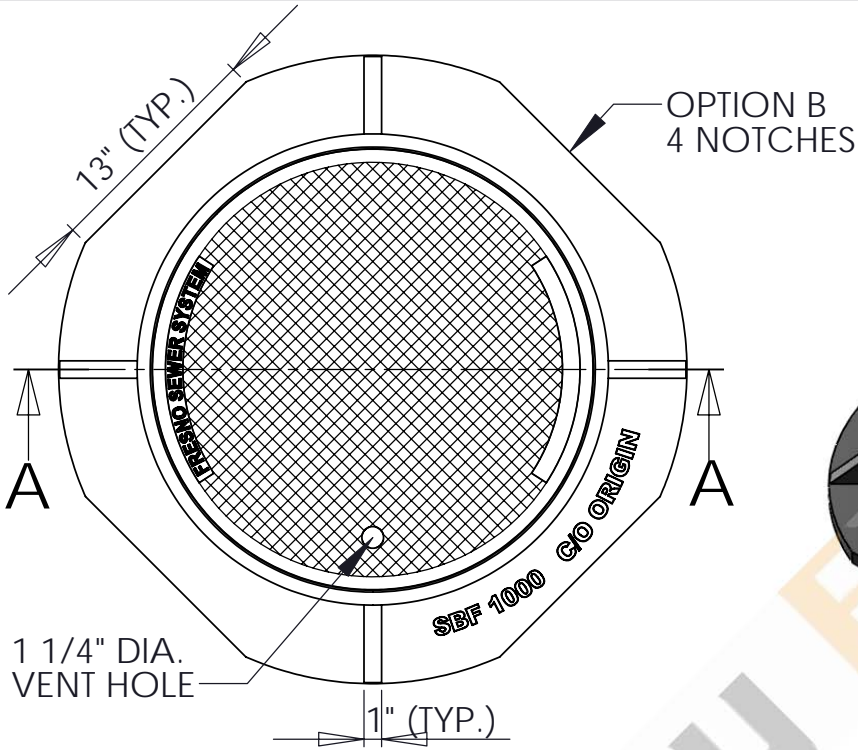
South Bay Foundry

WWW.SOUTHBAYFOUNDRY.COM

PHONE: (619) 956-2780 FAX: (619) 956-2788

SBF 1000

24" MANHOLE
FRAME AND COVER
FRESNO SEWER SYSTEM



SECTION A-A

FRAME OPTIONS

A	NO NOTCH
B	WITH NOTCH

SET WEIGHT

OPTION	A	B
FRAME	191	180
COVER	147	147
TOTAL	338	327

GENERAL INFORMATION

- *MATERIALS CONFORM TO ASTM A48 CLASS 35B
- *FRAME AND COVER BEARING SURFACES MACHINED FOR CLOSE, QUIET FIT
- *CASTINGS SHALL BE DIPPED IN BLACK BITUMINOUS PAINT
- *FRAME AND COVER EXCEEDS H-20 WHEEL LOADING

APPROVED

BY:

TITLE:

AGENCY:

DATE: