



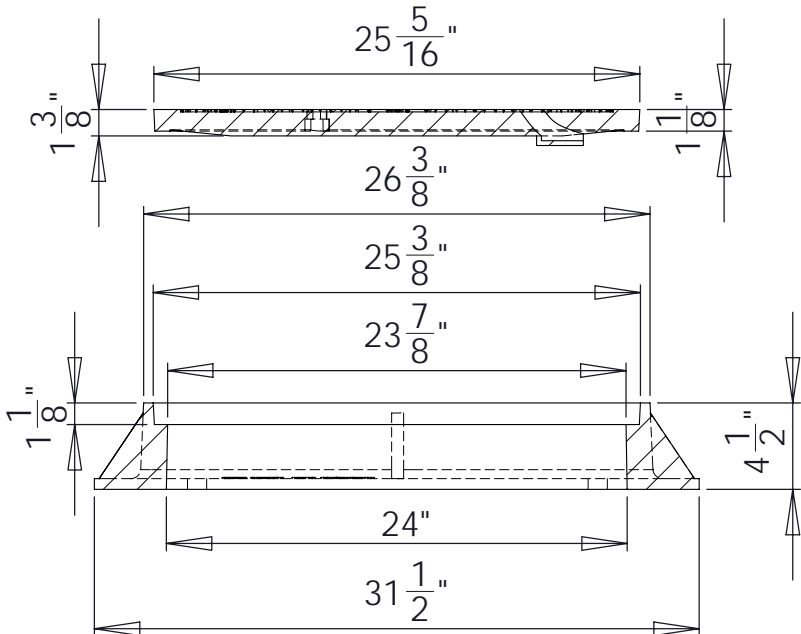
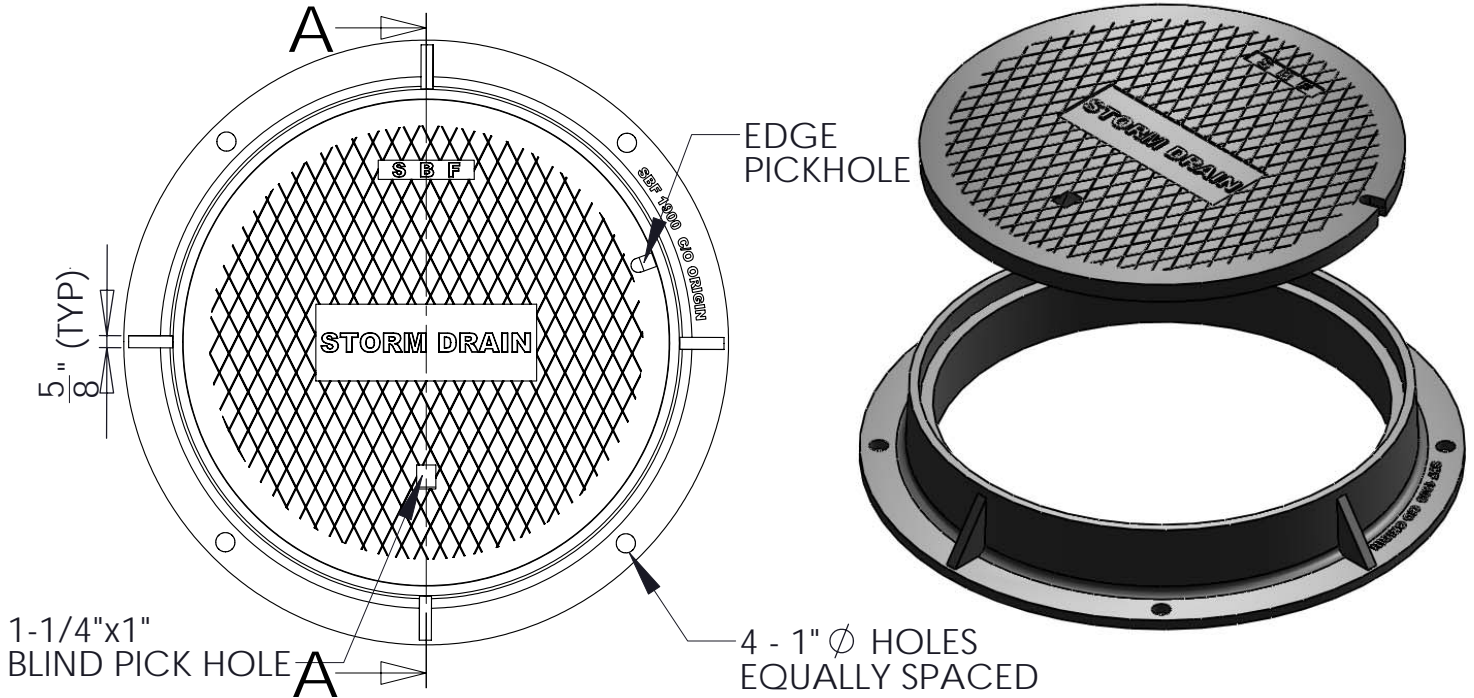
# South Bay Foundry

WWW.SOUTHBAYFOUNDRY.COM

PHONE: (619) 956-2780 FAX: (619) 956-2788

## SBF 1900 SAC

24" MANHOLE  
FRAME AND COVER  
STORM DRAIN



### SECTION A-A

SET WEIGHT	
FRAME	140 LB
COVER	130 LB
<b>TOTAL</b>	<b>270 LB</b>

#### GENERAL INFORMATION

- \*MATERIAL: GREY CAST IRON ASTM A48 CLASS 35B
- \*BEARING SURFACES MACHINED FOR CLOSE, QUIET FIT
- \*FINISH: DIPPED IN BLACK BITUMINOUS PAINT
- \*MEETS H-20 WHEEL LOAD REQUIREMENTS

APPROVED

BY:

TITLE:

AGENCY:

DATE: