



South Bay Foundry

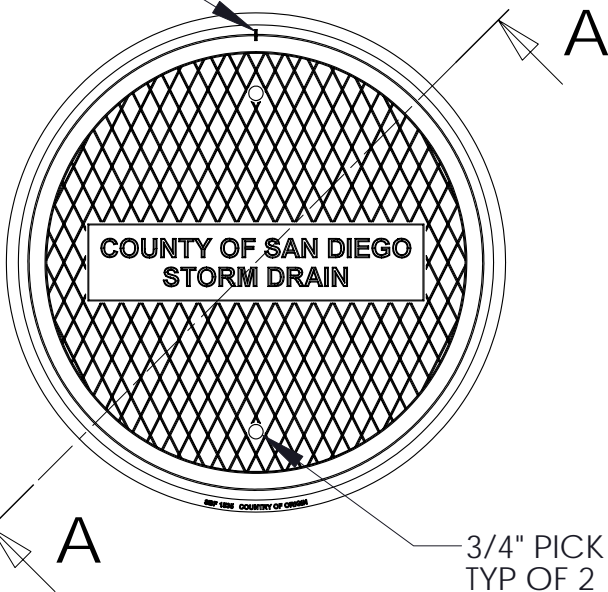
WWW.SOUTHBAYFOUNDRY.COM

PHONE: (619) 956-2780 FAX: (619) 956-2788

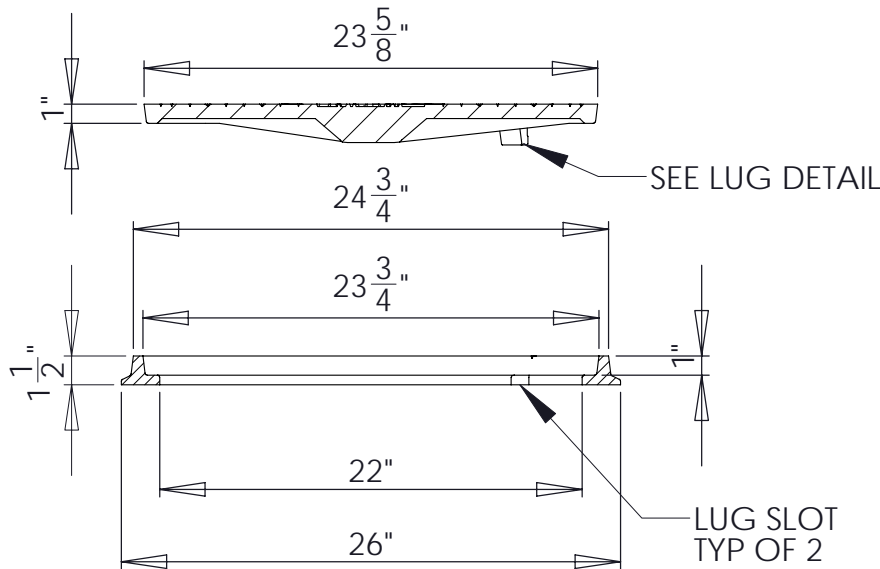
SBF 1535

22" MANHOLE
FRAME AND COVER
COUNTY OF SD STORM DRAIN

ALIGNMENT
MARKS

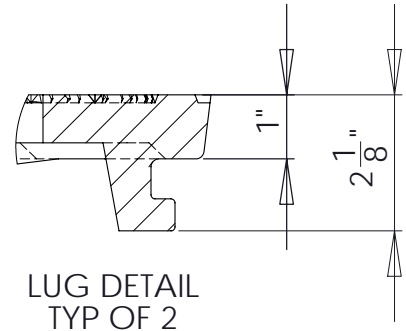


3/4" PICK HOLE
TYP OF 2



SEE LUG DETAIL

LUG SLOT
TYP OF 2



LUG DETAIL
TYP OF 2

SET WEIGHT	
FRAME	30 LB
COVER	100 LB
TOTAL	130 LB

SECTION A-A

GENERAL INFORMATION

- *MATERIAL: GREY CAST IRON ASTM A48 CLASS 30B
- *BEARING SURFACES MACHINED FOR CLOSE, QUIET FIT
- *NON-TRAFFIC

APPROVED

BY:

TITLE:

AGENCY:

DATE: