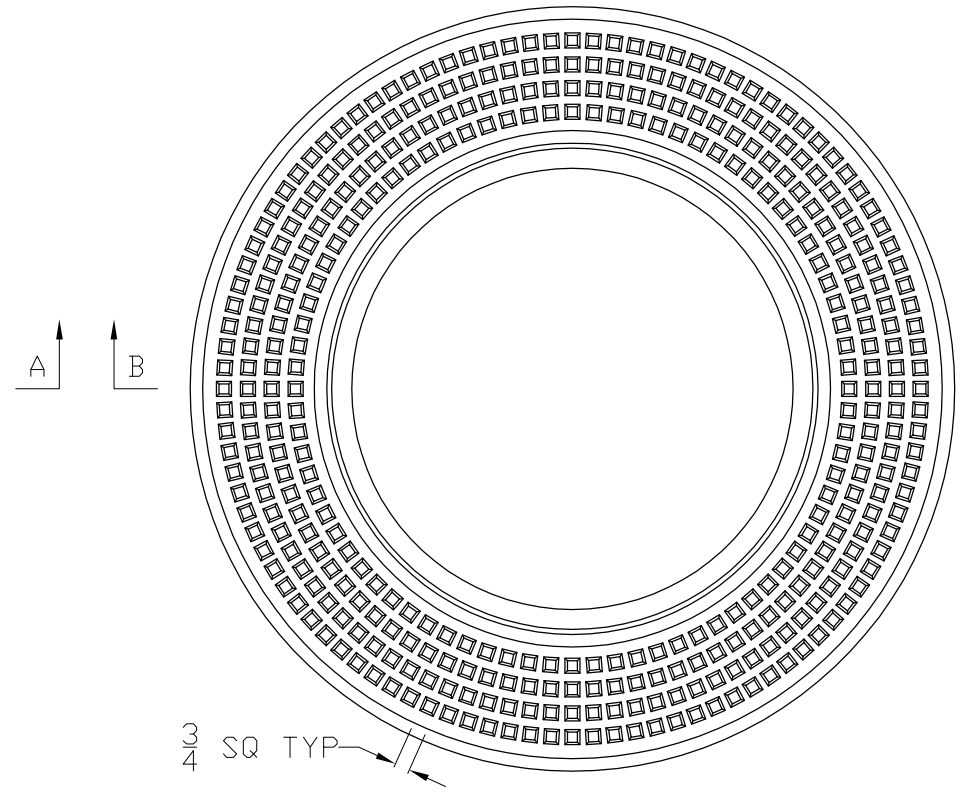
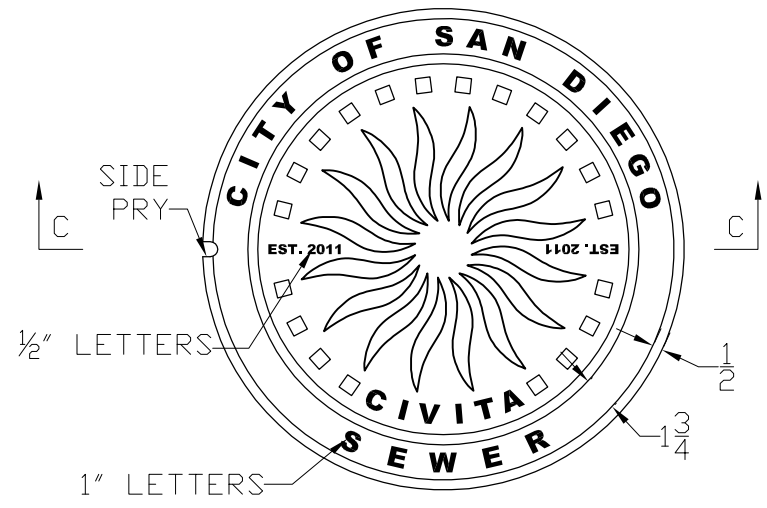


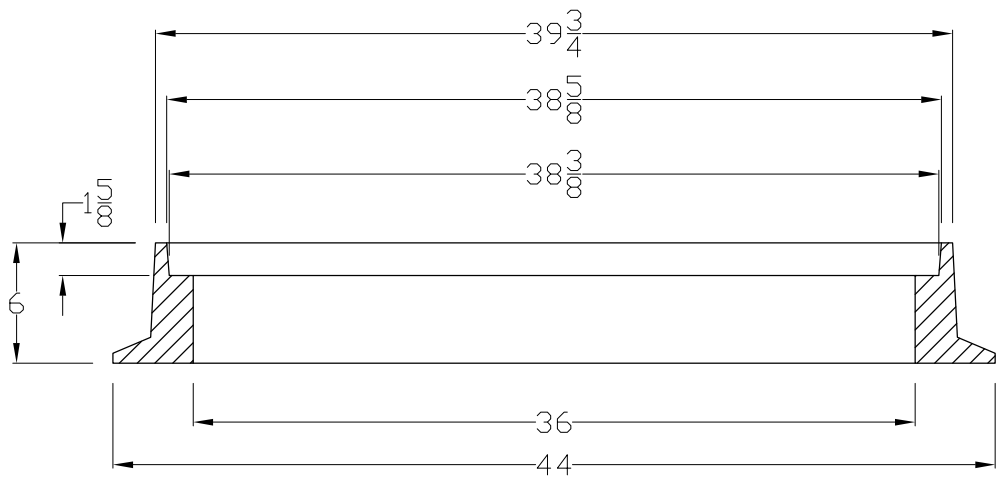
FRAME



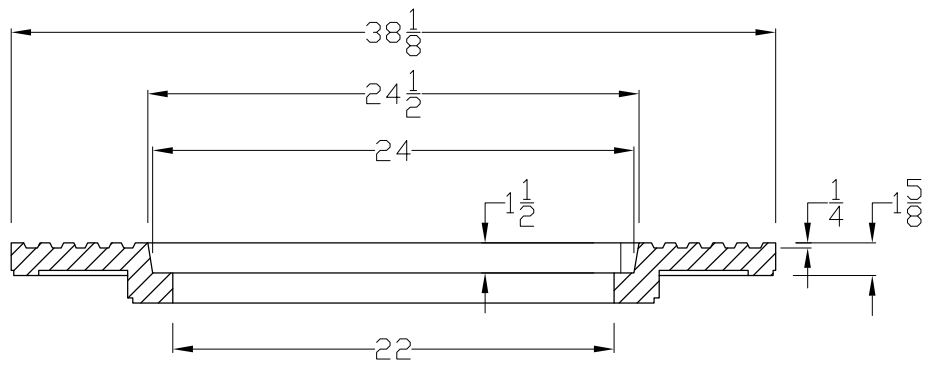
OUTER COVER



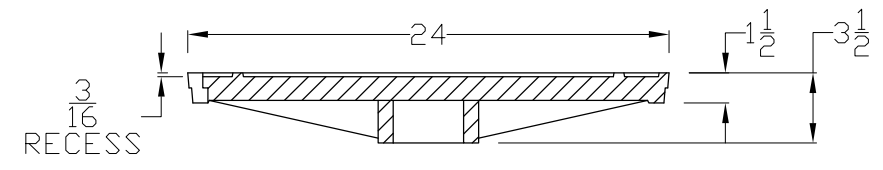
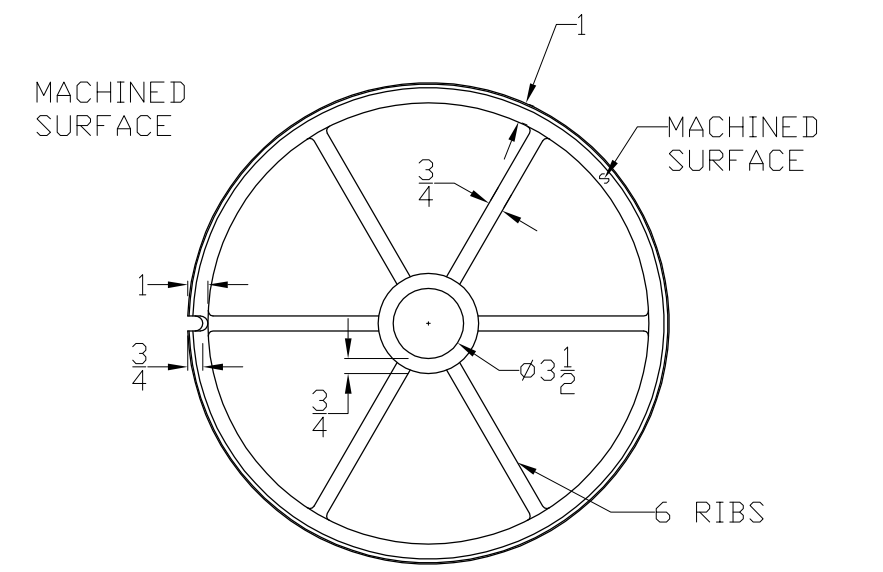
INNER COVER



SECTION A-A



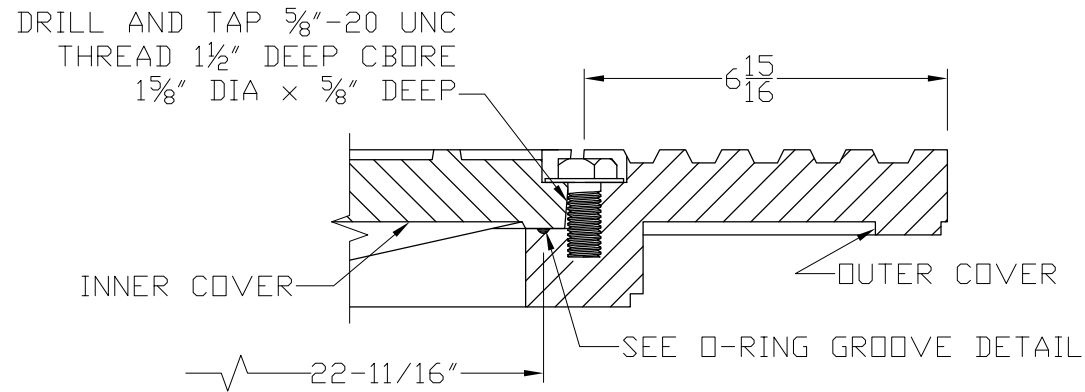
SECTION B-B



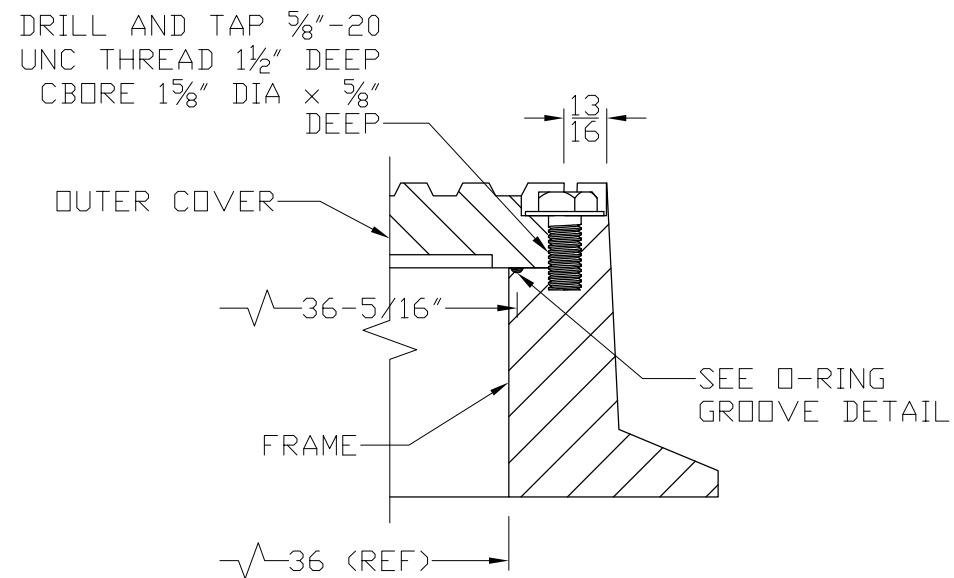
SECTION C-C

- NOTES:
 *MATERIAL: GREY CAST IRON ASTM A48 CLASS 35B
 *BEARING SURFACES MACHINED FOR CLOSE, QUIET FIT
 *FINISH: DIPPED IN BLACK BITUMINOUS PAINT
 *MEETS H-20 WHEEL LOAD REQUIREMENTS
 *DESIGNED PER SDRSD M-3

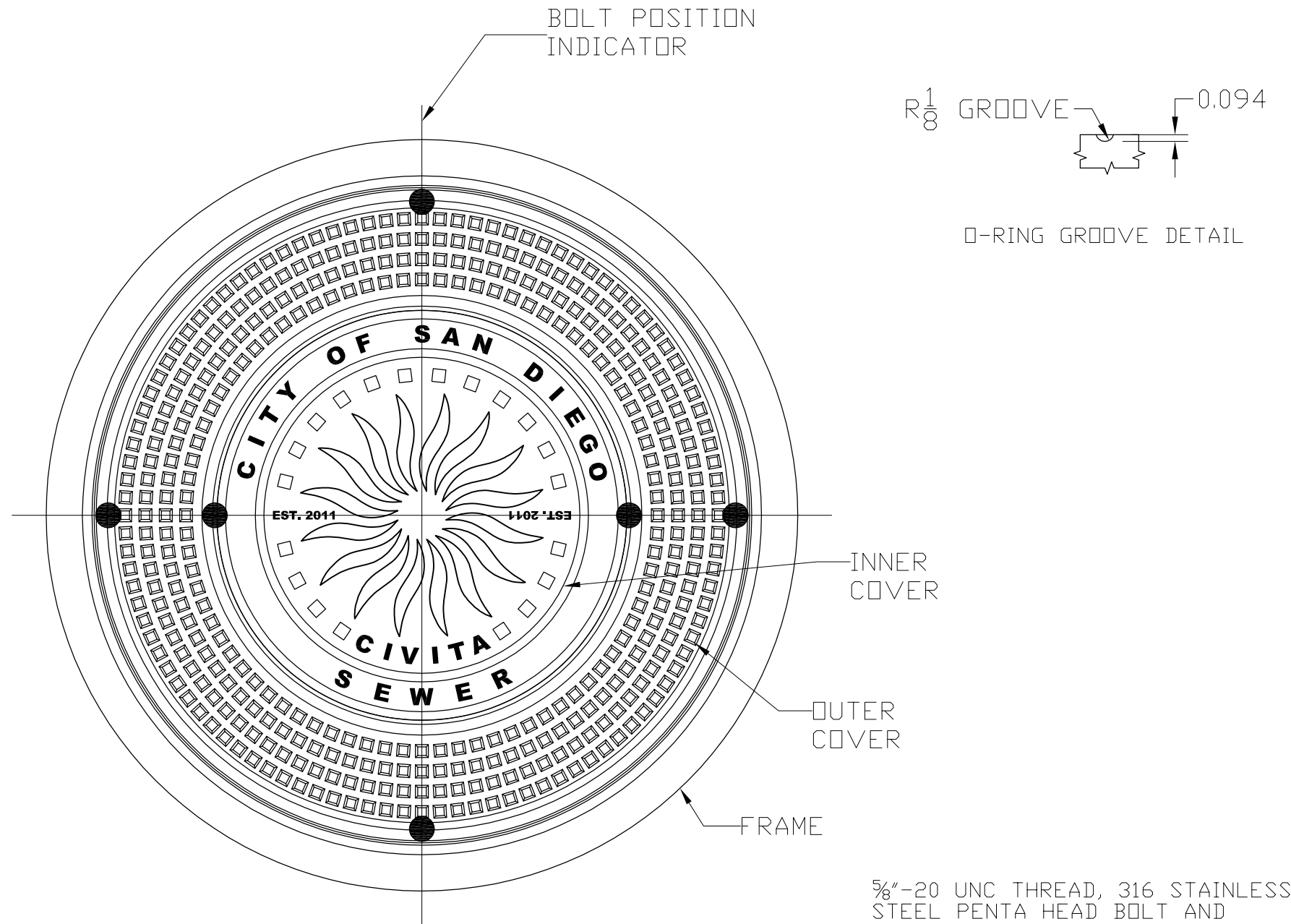
<p>36" CLEAR OPENING FRAME AND COVERS CITY OF SAN DIEGO CIVITA SEWER PER SDRSD M-3</p>		<p>SOUTH BAY FOUNDRY STEEL DIVISION 9444 ABRAHAM SANTEE, CA 92071, USA. PHONE(619)956-2780 FAX(619)956-2788</p>	
APPROVAL DATE:	DRAWN BY: TS	WT.	I.D.# SBF1325
APPROVED BY:	SCALE:	DATE: 10/24/12	SHEET: 1 OF 2



INNER COVER TO OUTER COVER
BOLT AND SEAL DETAIL



OUTER COVER TO FRAME
BOLT AND SEAL DETAIL



BOLT PLACEMENT DETAIL

5/8"-20 UNC THREAD, 316 STAINLESS
STEEL PENTA HEAD BOLT AND
1 1/2" O.D. x 5/8" I.D. x 1/16" THICK 316
STAINLESS STEEL WASHER TO BE
USED FOR BOLTING PURPOSES.

1/4" NEOPRENE O-RING GASKET SHALL
BE GLUED INTO MACHINED GROOVE.
GLUE SHALL MEET THE REQUIREMENTS
OF MIL-M-81288.

NOTES:

- *MATERIAL: GREY CAST IRON ASTM A48 CLASS 35B
- *BEARING SURFACES MACHINED FOR CLOSE, QUIET FIT
- *FINISH: DIPPED IN BLACK BITUMINOUS PAINT
- *MEETS H-20 WHEEL LOAD REQUIREMENTS
- *DESIGNED PER SDRSD M-3

36" FRM AND CVRS BOLT AND SEAL DETAIL (IF REQUIRED)
CITY OF SAN DIEGO CIVITA SEWER
PER SDRSD M-4



SOUTH BAY FOUNDRY

STEEL DIVISION

9444 ABRAHAM SANTEE, CA 92071, USA.

PHONE(619)956-2780 FAX(619)956-2788

APPROVAL DATE:

DRAWN BY: TS

WT.

I.D.# SBF1325

APPROVED BY:

SCALE:

DATE: 10/24/12

SHEET: 2 OF 2