



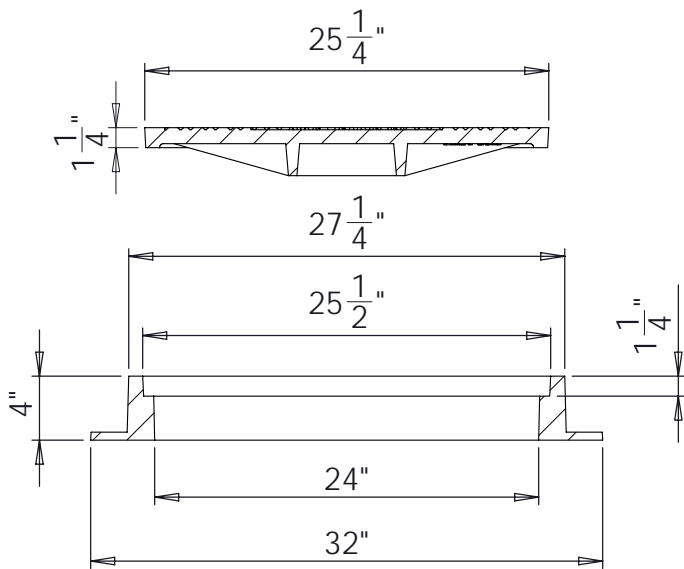
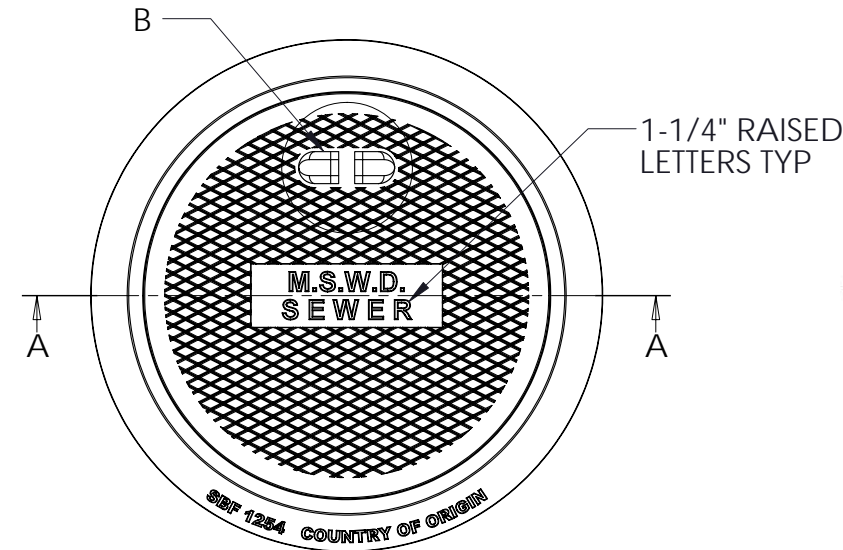
South Bay Foundry

WWW.SOUTHBAYFOUNDRY.COM

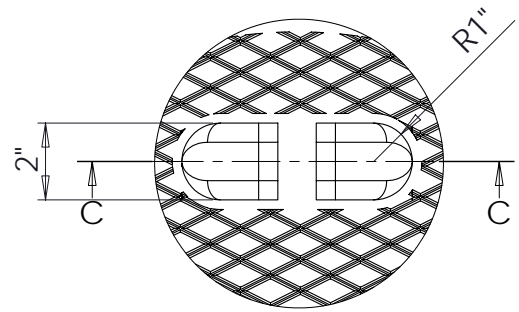
PHONE: (619) 956-2780 FAX: (619) 956-2788

SBF 1254 CPH

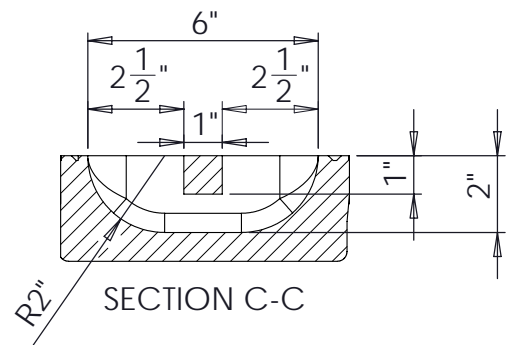
24" MANHOLE
FRAME AND COVER
M.S.W.D. SEWER



SECTION A-A



DETAIL B
(LIFTING RECEPTACLE)



SECTION C-C

SET WEIGHT

FRAME	160 LB
COVER	165 LB
TOTAL	325 LB

A3500 / A3522

GENERAL INFORMATION

- *MATERIAL: GREY CAST IRON ASTM A48 CLASS 30B
- *BEARING SURFACES MACHINED FOR CLOSE, QUIET FIT
- *FINISH: DIPPED IN BLACK BITUMINOUS PAINT
- *MEETS H-20 WHEEL LOAD REQUIREMENTS

APPROVED

BY:

TITLE:

AGENCY:

DATE:

10/25/2012