



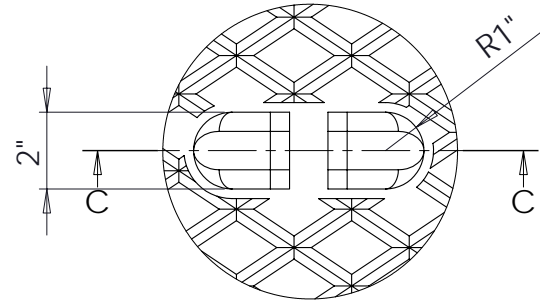
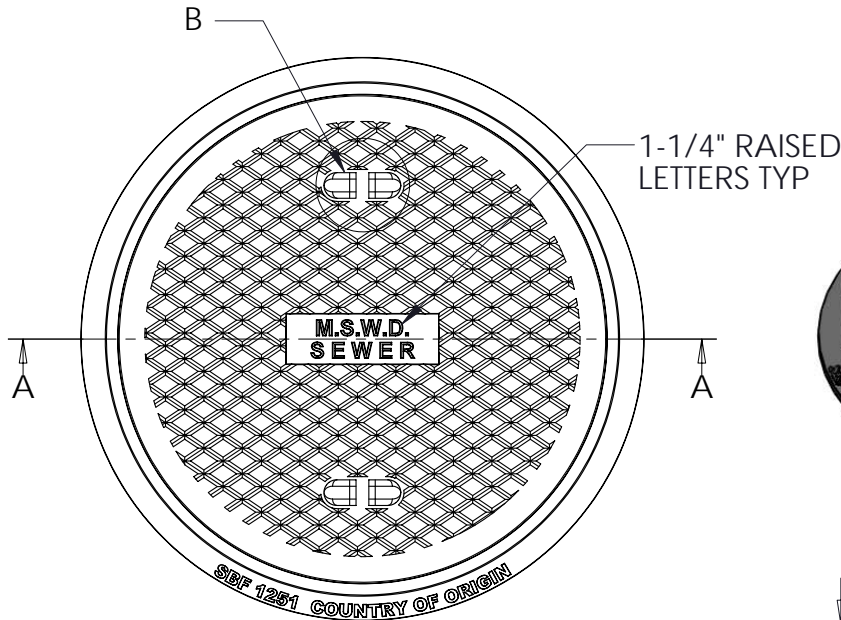
South Bay Foundry

WWW.SOUTHBAYFOUNDRY.COM

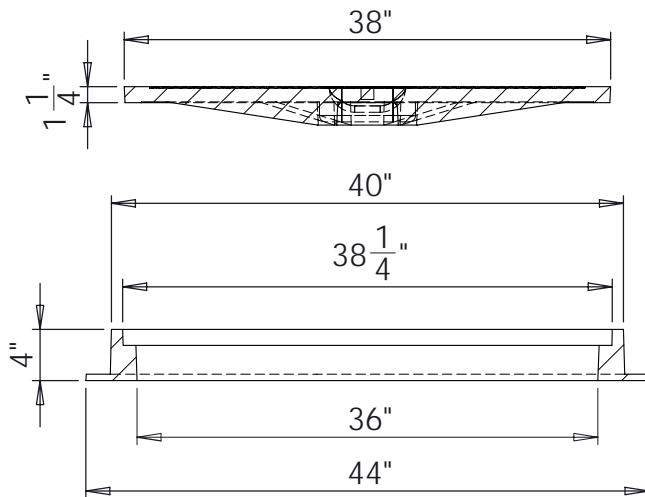
PHONE: (619) 956-2780 FAX: (619) 956-2788

SBF 1251 CPH

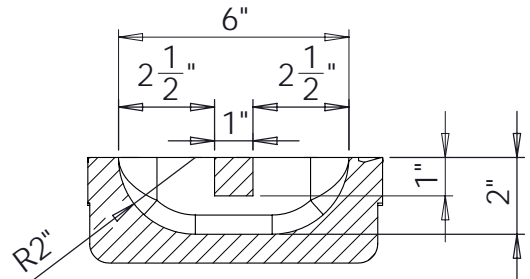
36" MANHOLE
FRAME AND COVER
M.S.W.D. SEWER



DETAIL B, TYP OF 2
(LIFTING RECEPTACLE)



SECTION A-A



SECTION C-C

SET WEIGHT	
FRAME	250 LB
COVER	350 LB
TOTAL	600 LB

A3200 / A3237-4

GENERAL INFORMATION

- *MATERIAL: GREY CAST IRON ASTM A48 CLASS 30B
- *BEARING SURFACES MACHINED FOR CLOSE, QUIET FIT
- *FINISH: DIPPED IN BLACK BITUMINOUS PAINT
- *MEETS H-20 WHEEL LOAD REQUIREMENTS

APPROVED

BY:

TITLE:

AGENCY:

DATE:

10/25/2012