



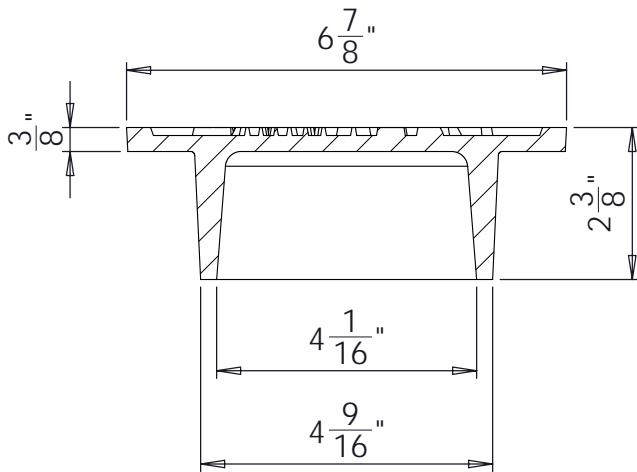
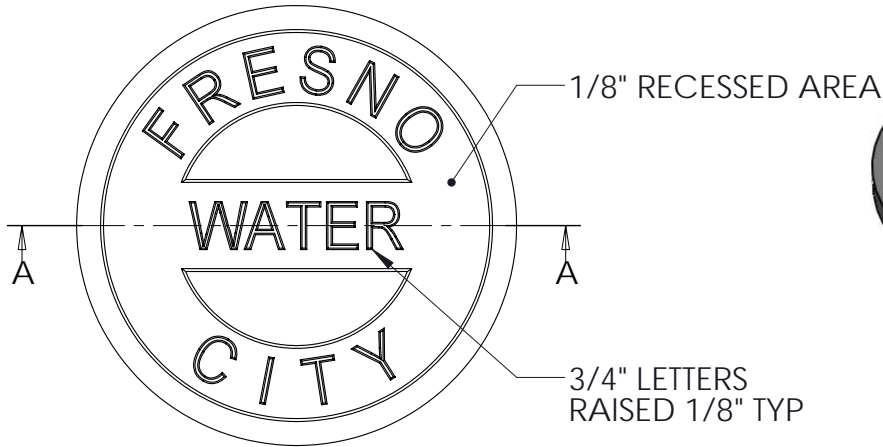
South Bay Foundry

WWW.SOUTHBAYFOUNDRY.COM

PHONE: (619) 956-2780 FAX: (619) 956-2788

B1609-F

NUMBER 5 LID
FRESNO CITY WATER
SALES DRAWING



SECTION A-A

WEIGHT
5 LB

GENERAL INFORMATION

*MATERIAL: GREY CAST IRON ASTM A48 CLASS 30B
 *FINISH: DIPPED IN BLACK BITUMINOUS PAINT

APPROVED

BY:

TITLE:

AGENCY:

DATE:

5/2/2012