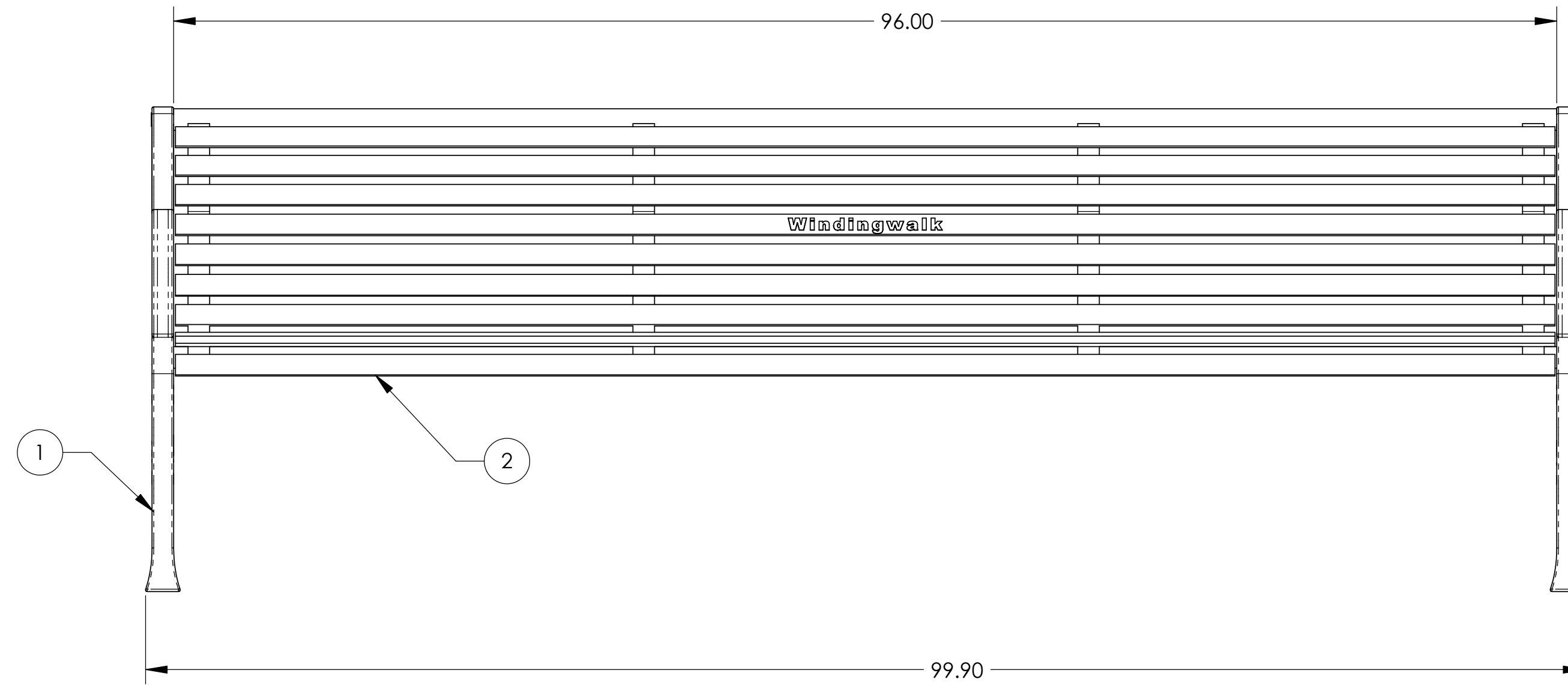
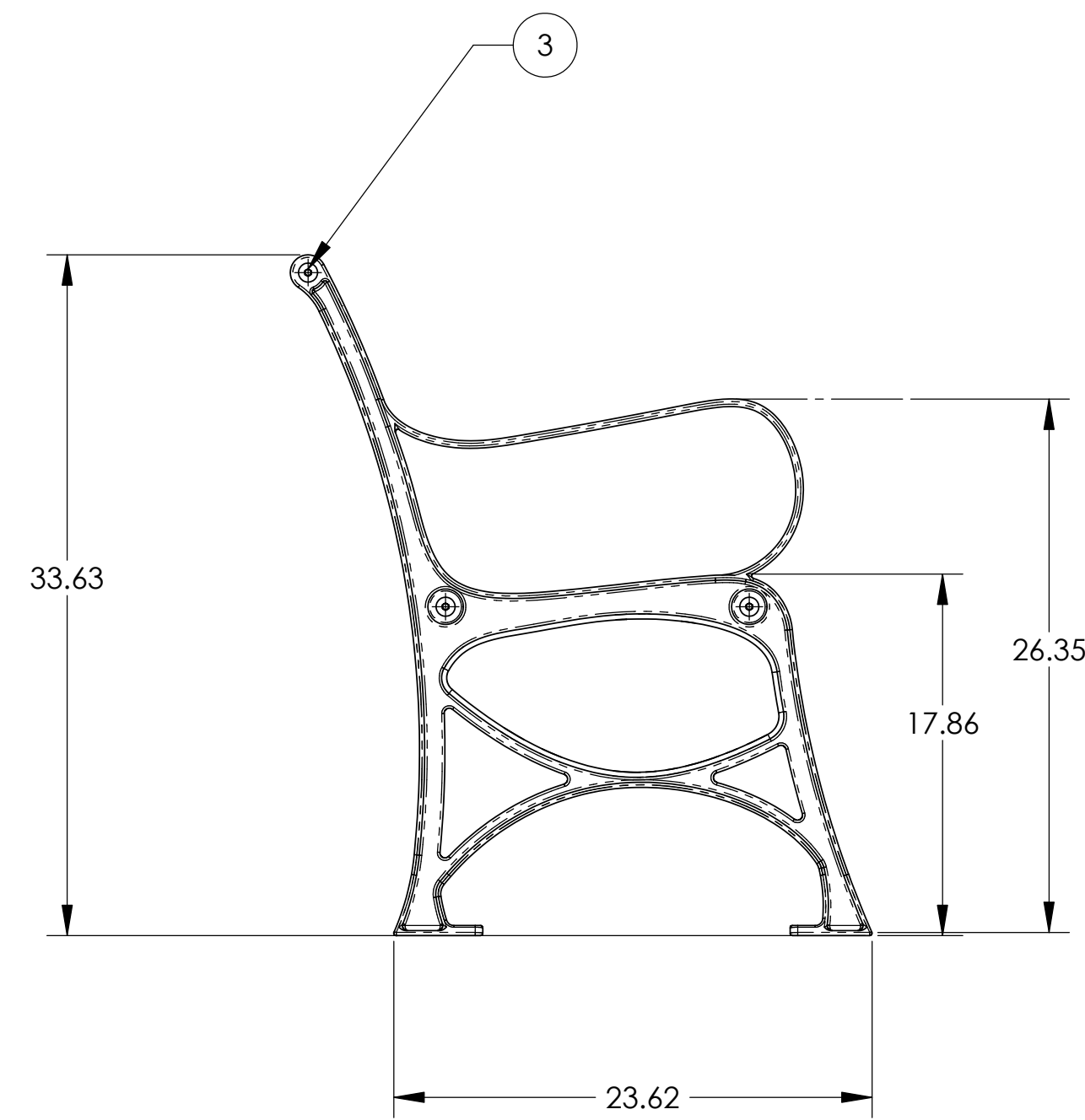
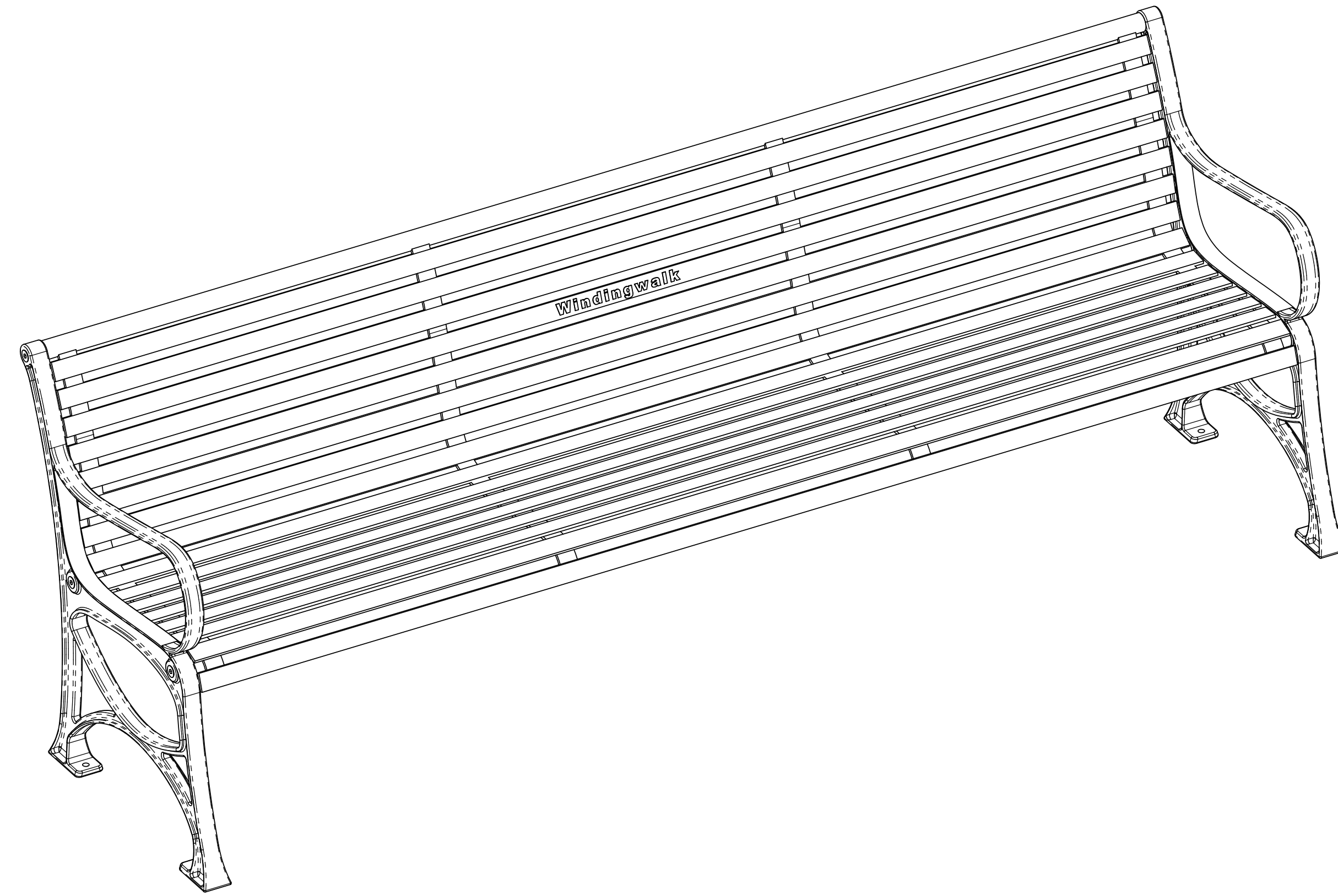


REVISIONS			
REV	DESCRIPTION	DRAWN / DATE	APVD / DATE
-	INITIAL RELEASE	SLUDER 2/27/2005	
A	ADD MOUNTING FEET, LENGTHEN TWO TUBES TO 96.25	BARTLETT 3/2/2005	



ITEM NO.	QTY.	PART NUMBER	DESCRIPTION
1	2	400Bench 2005-02-27	CASTING, PARK BENCH
2	1	weldment	SEAT WELDMENT, PARK BENCH
3	6	SCHSCREW 0.5-13x1.5x1.5-HX-N	82° FLATHEAD CAP SCREW 1/2-13 NC X 1-1/2 LONG

UNLESS OTHERWISE SPECIFIED DIMENSIONS ARE IN INCHES TOLERANCES ARE: FRACTION DECIMAL ANGLE .XX = ±.03 .XX = ±1° .XXX = ±.005 XXXX = ±.0005	CONTRACT NUMBER		<b>South Bay Foundry</b>	
	DRAWN	SLUDER 2-27-05	PARK BENCH ASSEMBLY SBF 400 SERIES	
MATERIAL	APVD	SIZE	PART NO.	REV
Material	APVD	D	XXXXX	A
FINISH	REL	SCALE 1:8	SHEET 1 OF 3	