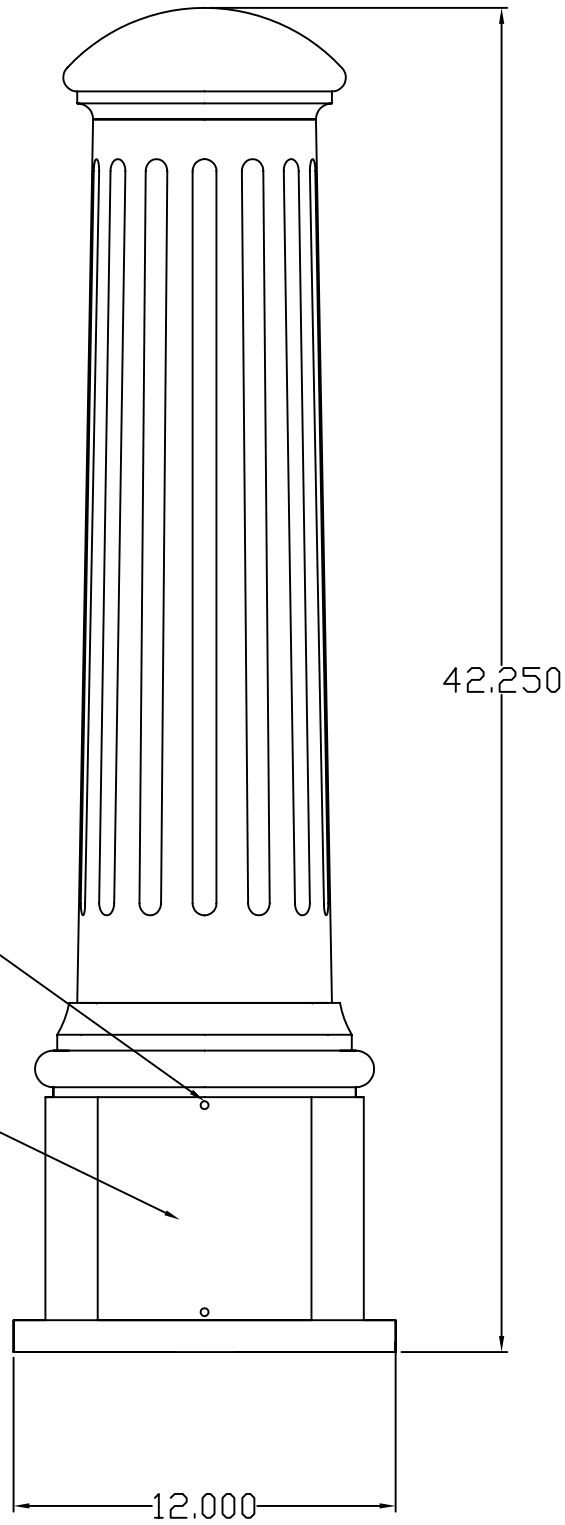



REV:	DESCRIPTION:	APP:	DATE:



PRODUCTION APPROVAL		NOMENCLATURE	TOLERANCES	 SOUTH BAY FOUNDRY 9444 ABRAHAM SANTEE, CA 92071, USA.
APP STATUS	DATE	PROCESS: CAST	UNITS: INCHES	
		MATERIAL: CAST IRON	.XX=	
APPROVED BY:		FINISH: TO BE SPEC	.XXX=	TITLE: F CAST BOLLARD REMOVABLE
		WEIGHT: 178 LBS	ANGLES=	I.D.# DCB-FRB DATE: 02/07/03 SHEET: 1 OF 1