



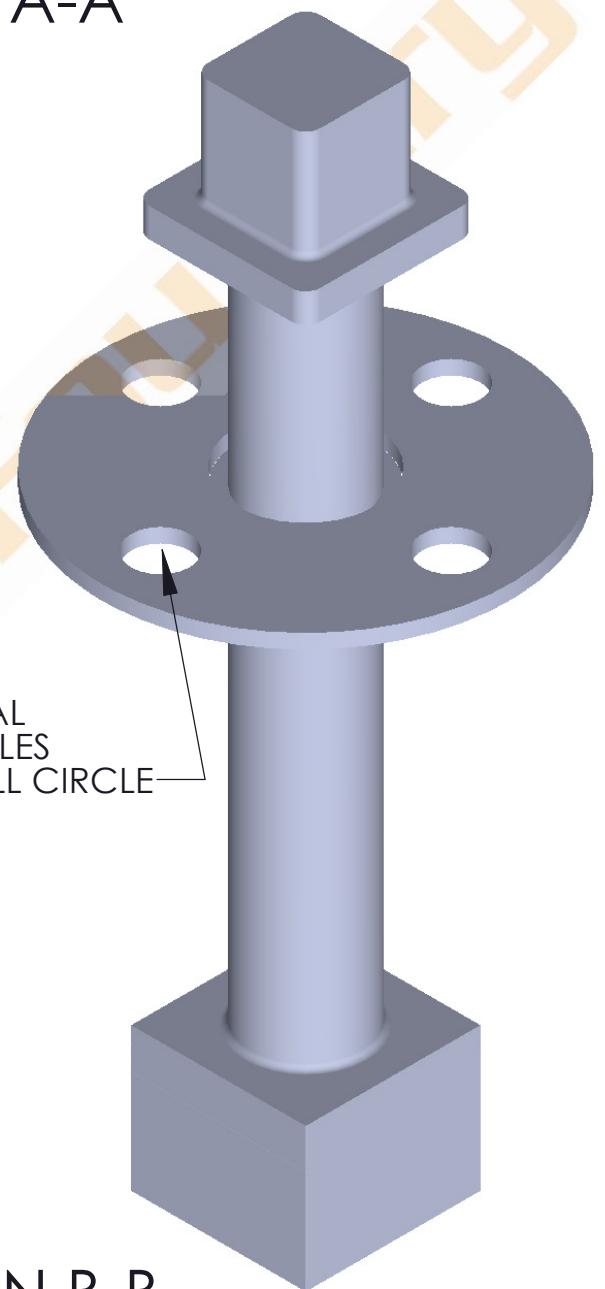
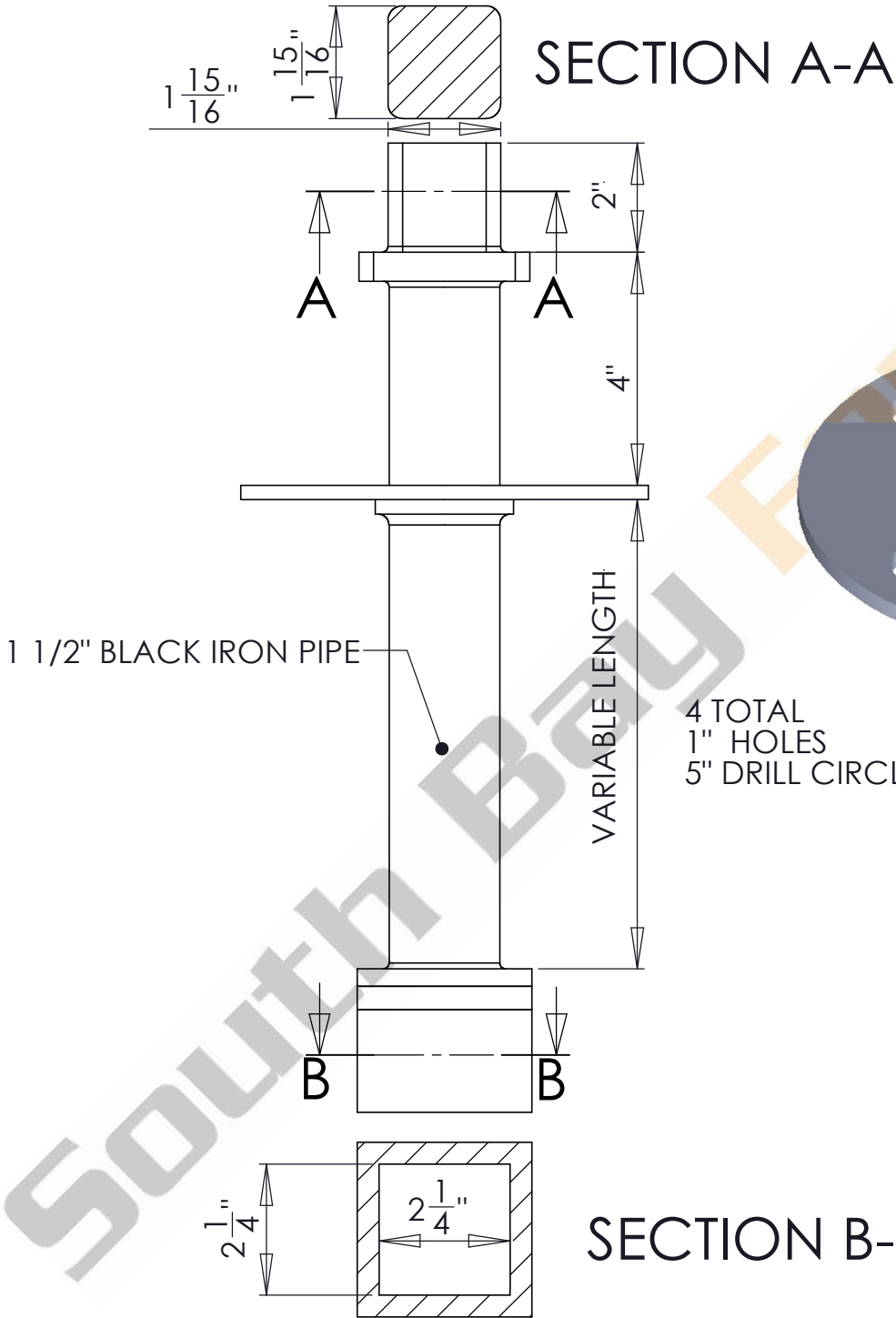
# South Bay Foundry

WWW.SOUTHBAYFOUNDRY.COM

PHONE: (619) 956-2780 FAX: (619) 956-2788

## VALVE STEM EXT

STEEL VALVE EXTENSION  
FOR VALVES 4" AND LONGER



### GENERAL INFORMATION

\*MATERIALS SELECTED FROM APPROVED MATERIALS LIST  
\*HOT DIPPED GALVANIZED

APPROVED

BY:

TITLE:

AGENCY:

DATE: