



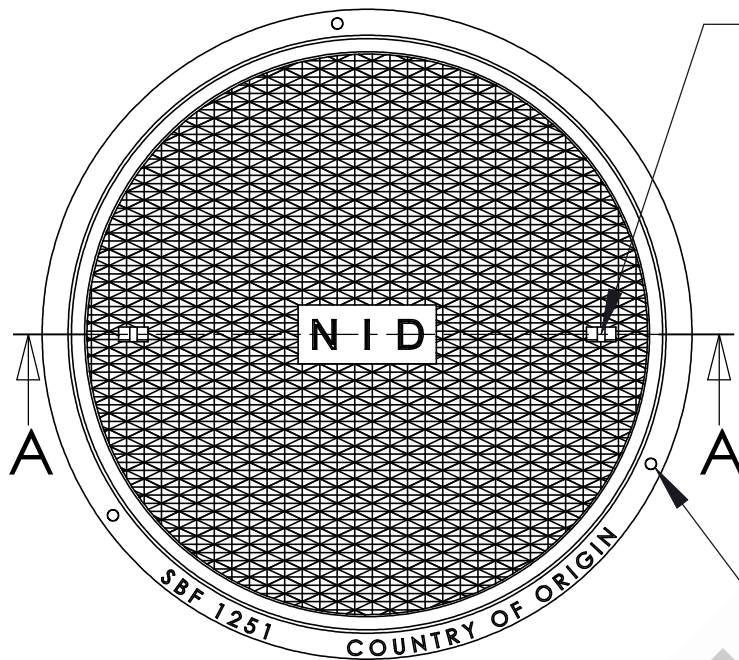
South Bay Foundry

WWW.SOUTHBAYFOUNDRY.COM

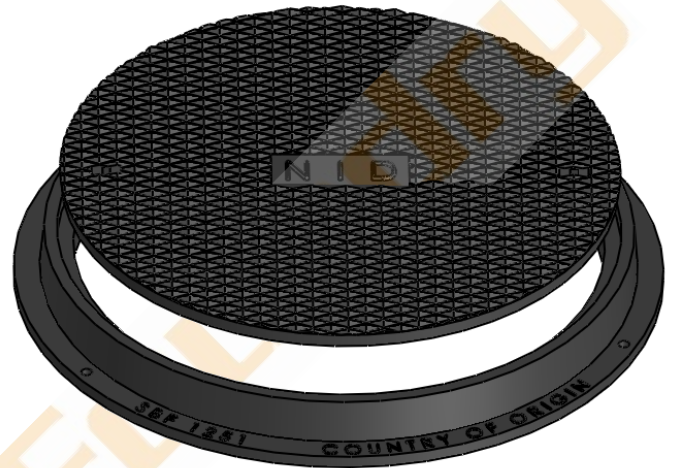
PHONE: (619) 956-2780 FAX: (619) 956-2788

SBF 1251

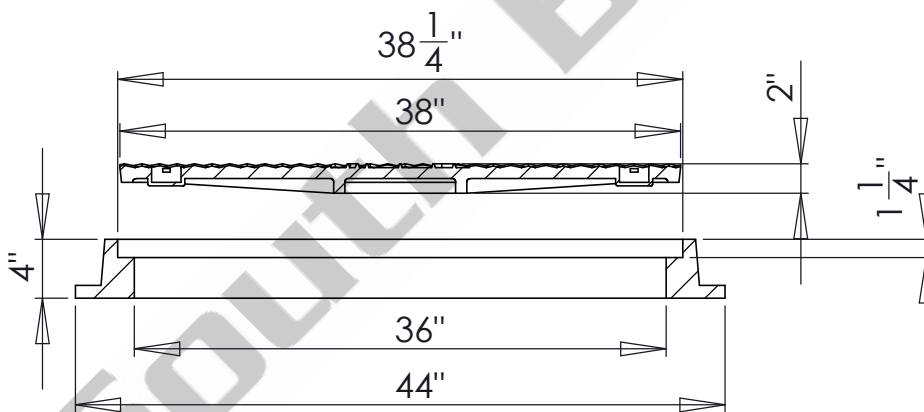
36" MANHOLE
FRAME AND COVER
NEVADA IRRIGATION DISTRICT



CLOSED PICK HOLE
(TYP OF 2)



3/4" DIAMETER GROUT HOLES
3 MINIMUM, EQUALLY SPACED



SECTION A-A

SET WEIGHT

Frame	332 LB
Cover	344 LB
Total	676 LB

GENERAL INFORMATION

- *ALL MATERIALS USED IN MANUFACTURING CONFORM TO ASTM 48, CLASS 35
- *FRAME AND COVER BEARING SURFACES MACHINED FOR CLOSE, QUIET FIT
- *FRAME AND COVER EXCEEDS H-20 WHEEL LOADING

APPROVED

BY:

TITLE:

AGENCY:

DATE: