



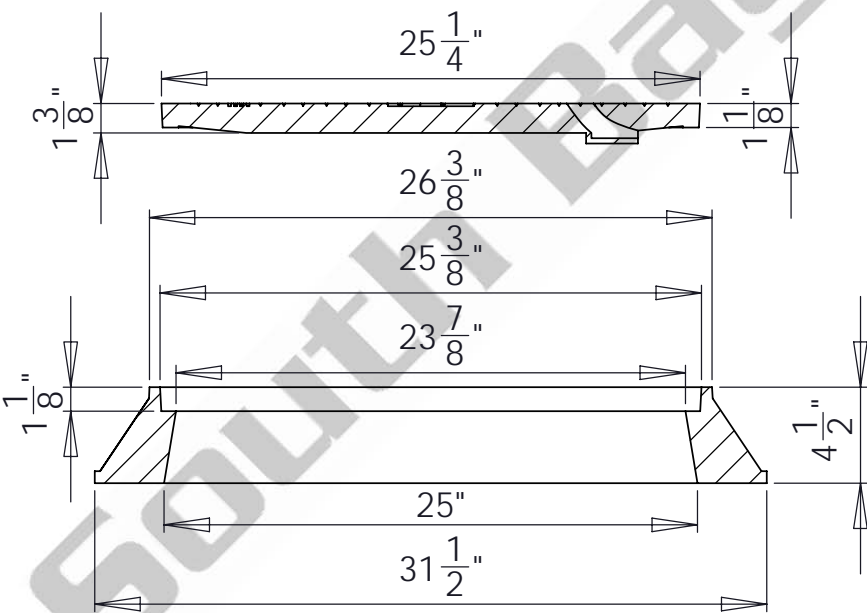
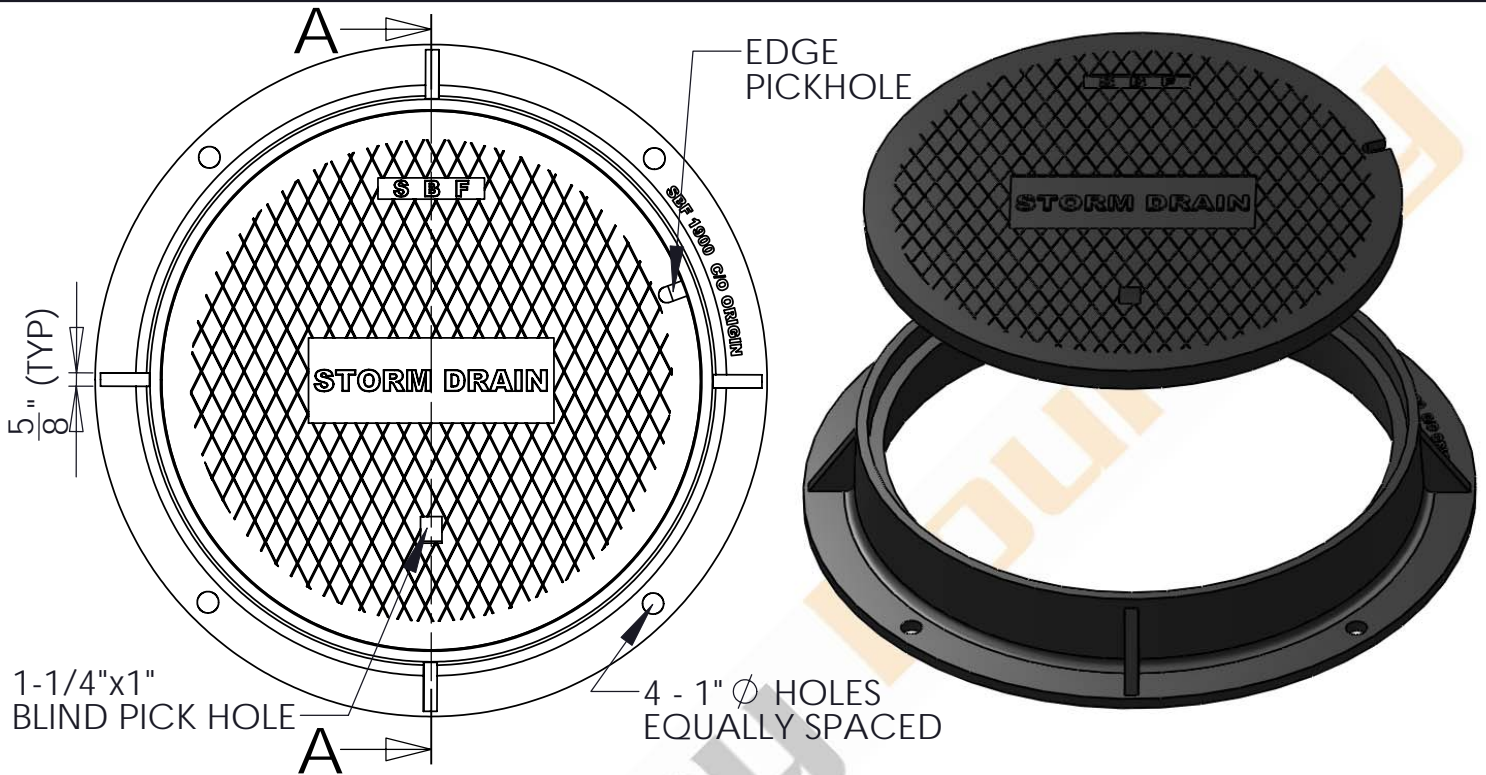
# South Bay Foundry

WWW.SOUTHBAYFOUNDRY.COM

PHONE: (619) 956-2780 FAX: (619) 956-2788

## SBF 1900 SAC

24" MANHOLE  
FRAME AND COVER  
STORM DRAIN



SECTION A-A

SET WEIGHT	
FRAME	140 LB
COVER	130 LB
TOTAL	270 LB

GENERAL INFORMATION

- \*MATERIALS CONFORM TO ASTM A48 CLASS 35B
- \*FRAME AND COVER BEARING SURFACES MACHINED FOR CLOSE, QUIET FIT
- \*EXPOSED SURFACES SHALL BE PAINTED WITH COMMERCIAL QUALITY ASPHALTUM PAINT AFTER TESTING AND ASSEMBLY
- \*FRAME AND COVER EXCEEDS H-20 WHEEL LOADING

APPROVED

BY:

TITLE:

AGENCY:

DATE: