



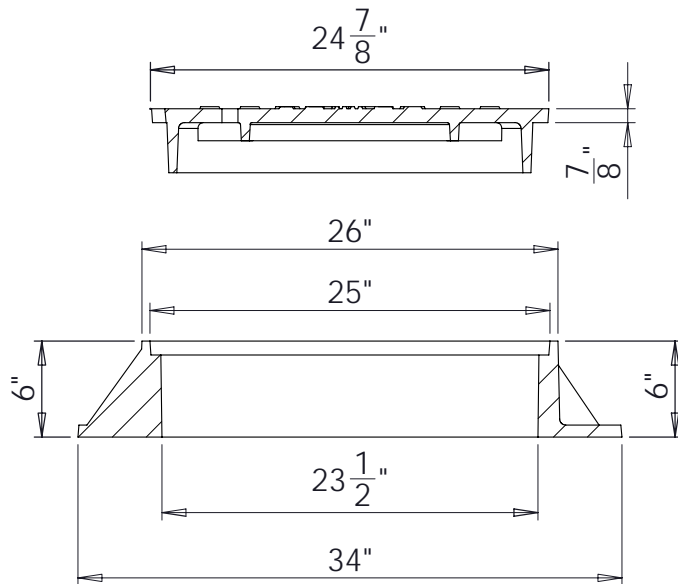
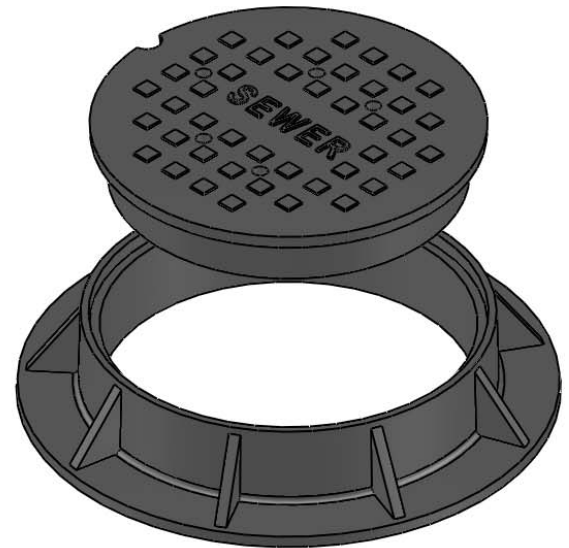
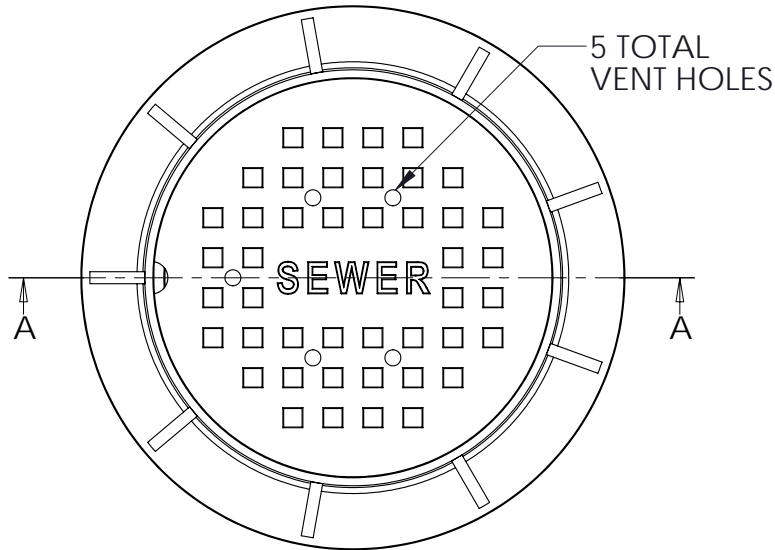
# South Bay Foundry

WWW.SOUTHBAYFOUNDRY.COM

PHONE: (619) 956-2780 FAX: (619) 956-2788

**SBF 1270**

23-1/2" MANHOLE  
FRAME AND COVER  
SEWER



SECTION A-A

ID#	A3900	A3920	
SIZE	23-1/2" (F)	25" (C)	TOTAL
WEIGHT	220 LB	215 LB	435 LB

GENERAL INFORMATION

- \*MATERIAL: GREY CAST IRON ASTM A48 CLASS 30B
- \*BEARING SURFACES MACHINED FOR CLOSE, QUIET FIT
- \*FINISH: DIPPED IN BLACK BITUMINOUS PAINT
- \*MEETS H-20 WHEEL LOAD REQUIREMENTS

APPROVED

BY:

TITLE:

AGENCY:

DATE: