



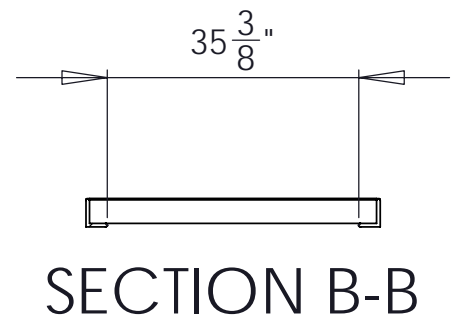
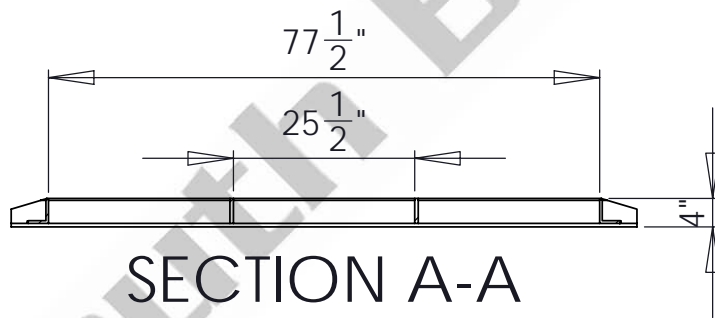
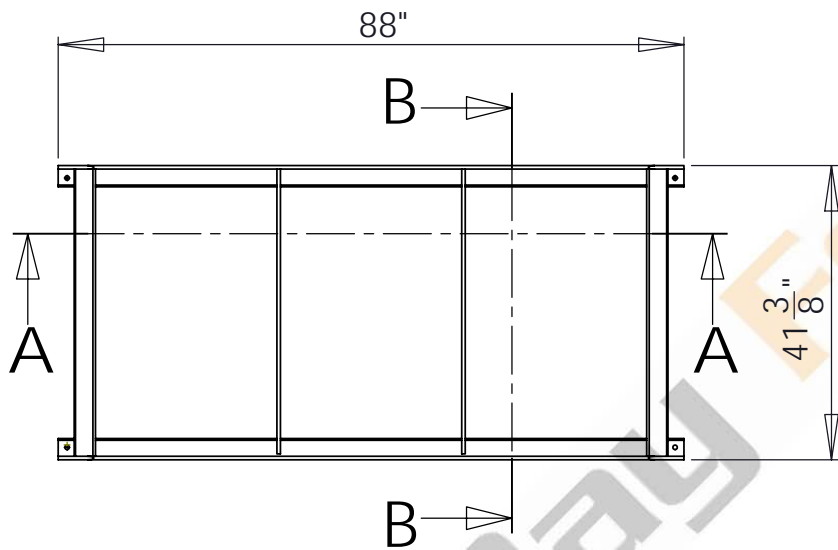
South Bay Foundry

WWW.SOUTHBAYFOUNDRY.COM

PHONE: (619) 956-2780 FAX: (619) 956-2788

E0007G

APWA 305 TRIPLE
271 LB



GENERAL INFORMATION

- *ASTM A36 STEEL
- *FINISH: HOT DIP GALVANIZED ASTM A123
- *DIMENSIONS SHOWN ARE FINISHED (AFTER GALVANIZATION AND ASSEMBLY)

APPROVED

BY:

TITLE:

AGENCY:

DATE: